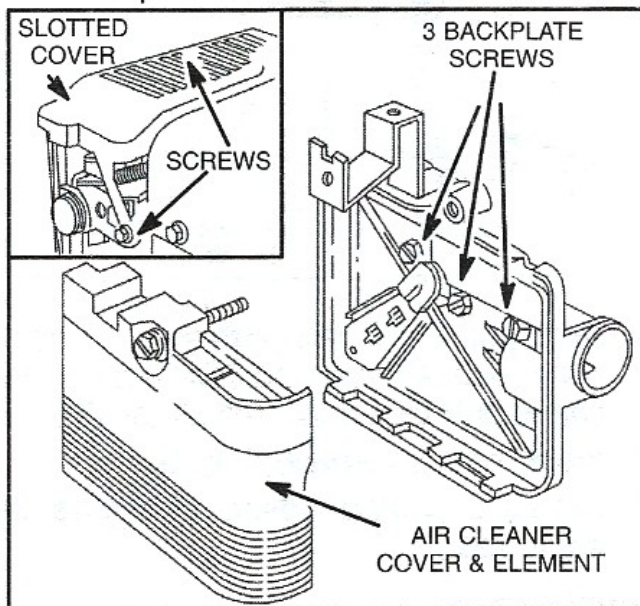


# BACKPLATE INSTALLATION INSTRUCTIONS

## Remove old backplate.

1. Loosen air cleaner cover screw. Remove air cleaner cover and element, **Fig. 1**.
2. Remove 3 backplate screws, **Fig. 1**.
3. Remove screws from slotted cover above air cleaner, if engine is equipped, **Fig. 1 (inset)**. Discard old backplate and bracket.

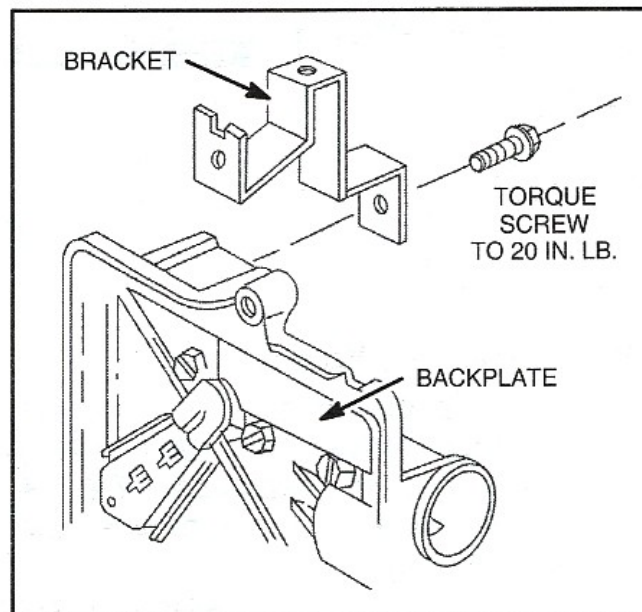


## Install bracket on backplate, if required.

If engine is equipped with slotted cover, assemble bracket supplied to top of new backplate, **Fig. 2**.

Torque screw to 20 in.-lbs.

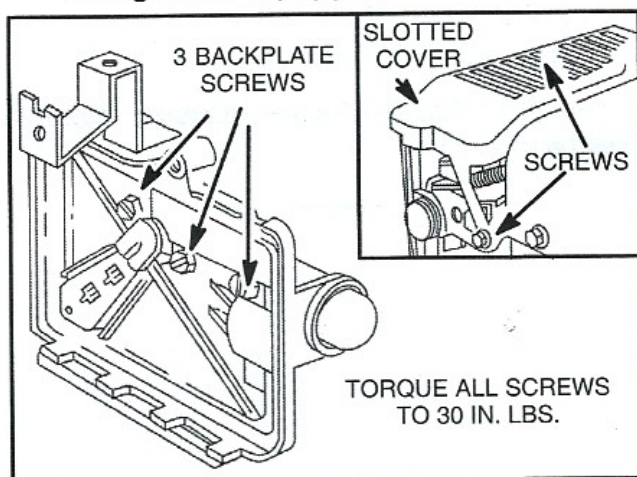
If engine has no slotted cover, discard bracket and screw.



## Install new backplate.

### A. On engine with primer:

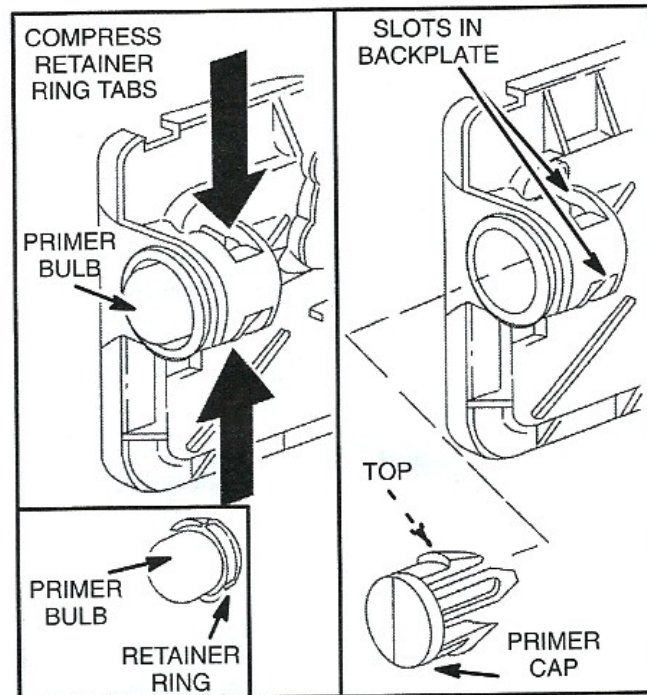
1. Install new backplate, **Fig. 3**.
2. Reinstall slotted cover, **Fig. 3 (inset)**, if engine is equipped.



**Fig. 3**

### B. On engine with choke:

1. Before installing backplate on engine, compress retainer ring tabs holding primer bulb in backplate, **Fig. 4**. Remove primer bulb and retainer ring, **Fig. 4 (inset)**.



**Fig. 4**

**Fig. 5**

2. Align primer cap tabs with slots in backplate (one tab stamped TOP) and press cap in until tabs snap into place, **Fig. 5**.
3. Install new backplate, **Fig. 3**.
4. Reinstall slotted cover, if engine is equipped.